



FEATURE

- Custom Options available

Table 1

Codes	Stability Codes		R	B	D
	Frequency stability range		±3.0 PPM	±5.0 PPM	±10.0 PPM
A	Temperature Range	0 to +50° C			
B		0 to +60° C			
F		0 to +70° C			
D		-10 to +60° C			
E		-10 to +70° C			
C		-20 to +70° C			
G		-30 to +80° C			
H		-30 to +85° C			
I		-40 to +85° C			

Denotes Available Denotes not Available

Table 2

Supply Voltage	3.3V	5V	9V	10V	12V	15V
Code	3	5	9	A	C	F

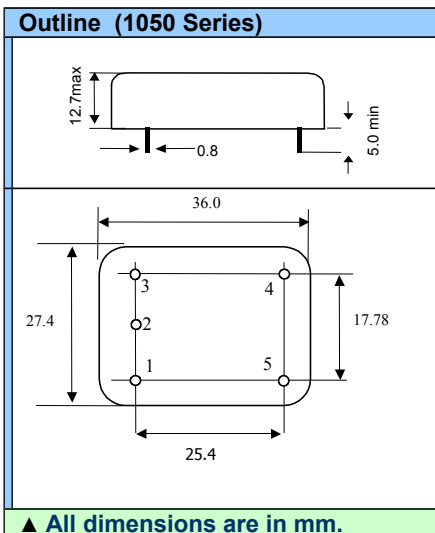
Table 2

ELECTRICAL SPECIFICATION	
PARAMETER.	SPECIFICATIONS.
Center frequency	2MHz.
Stability	±5ppm.
Supply voltage	+5V.
O/P Level	7dBm
Operating Temperature	+0°C to +50°C.
Spurious	-60 dBc.
Harmonics	-30 dBc
I/O Impedance	50 ohms
Supply current	<20 mA
Impedance	50Ω
Dimensions	36.00x27.4x12.7 mm

Pin Configuration of LO 1050

PIN	CONNECTIONS
1	No Connection
2	No Connection
3	Supply
4	Output
5	Ground

MECHANICAL SPECIFICATIONS



Ordering Information

Example

