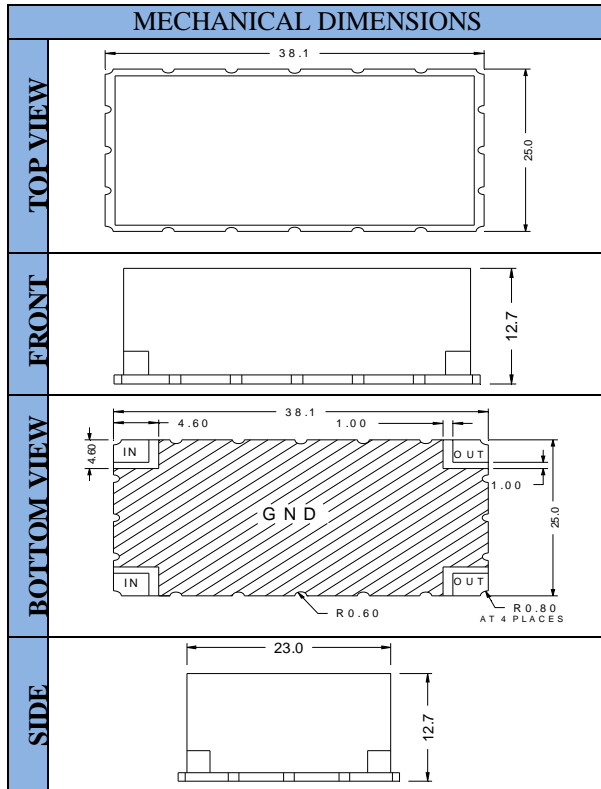




FEATURES:

- Wide Frequency Range
- Design Available in 2-8 Sections
- Fast Prototype and Delivery Available

MECHANICAL SPECIFICATIONS:



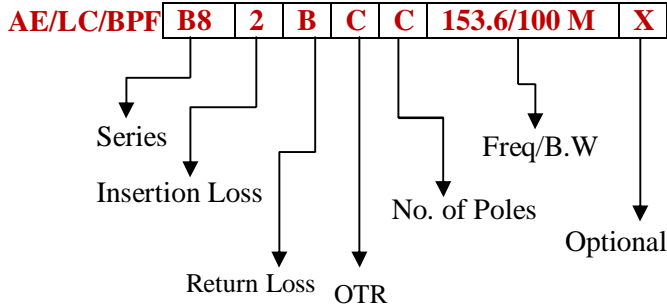
ELECTRICAL SPECIFICATIONS:

PARAMETER	SPECIFICATIONS
Centre Frequency	153.6±1 MHz
Band Width	1 dB@100±2 MHz
Rejection	@>20 dB±100 MHz
Insertion Loss	<2.0±0.5 dB
Return Loss	>10 dB
Impedance	50Ω
Power Handling	1 Watt
Package	SMD
Operating Temperature	-20°C to +75°C
Dimensions	38.1x25x12.7 mm

TABLE:

Insertion Loss	Return Loss	OTR	No. of Poles
1 → ≤1 dB	A → 10 dB Min	B → 0°C to +60°C	A → 3
2 → ≤2 dB	B → >10 dB	C → -20°C to +70°C	B → 4
3 → ≤3 dB	C → >12 dB	D → -10°C to +60°C	C → 5
4 → ≤4 dB	D → >14 dB	G → -30°C to +80°C	D → 6
5 → ≤5 dB	E → >15 dB	I → -40°C to +85°C	E → 7
6 → ≤6 dB		K → -55°C to +105°C	F → 8
7 → ≤7 dB		L → -55°C to +125°C	G → 9
8 → ≤8 dB			H → 10
9 → >8 dB		N - Not Assign	I → 11
			J → 12
			K → 13

ORDERING INFORMATION



Specifications Subject to change without notice