



Features

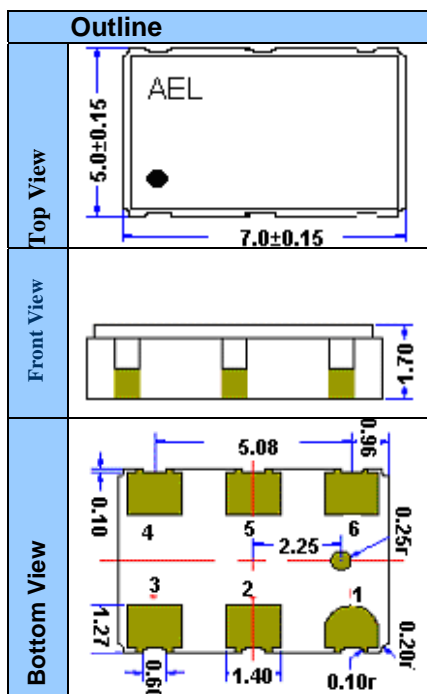
- Frequency Range 10.9 – 766 MHz
876 – 1,175 MHz
- Package 7X5 mm Ceramic
- PECL Output
- RoHS Compliant Standard
- Low Jitter
- Supply Voltage 3.3V

Table 1

Code	Stability Codes		F	G	M
	Frequency	Stability	±20 PPM	±25 PPM	±50 PPM
E	Temperature Range	-10°C - +70°C			
I		-40°C - +85°C			

Denotes Available Denotes not Available

Mechanical Specification



All dimensions are in mm.
Black Dot indicates Pin No.1

Pin Configuration

PIN	Description
1	Output Enable/Disable
2	No Connect
3	Ground
4	Output
5	Output*
6	Supply

Parameters	Conditions
Series:	XO 990
Frequency Range:	10.9 - 766 MHz 876 – 1,175 MHz
Supply Voltage:	3.3V ± 10%
Output Waveform:	PECL
Output High Level:	Min
	Max
Output Low Level:	Min
	Max
Output Symmetry:	47% - 53% At 50% point of Vcc
Jitter	0.6 pS RMS (max) 12KHz - 20MHz from output frequency 2.8 pS RMS (max) 10 Hz - 20MHz from output frequency
Rise / Fall time:	100 – 300 pS (Vth is 20% and 80% of waveform)
Supply Current:	90mA (max)
Enable/Disable Internal Pull-Up:	50Kohm (min) To Vcc
Frequency stability:	(Table 1) Specify
Temperature range:	(Table 1) Specify
V Disable:	0.8Volts (max) Referenced to pad 3
V Enable:	2.0Volts (min) Referenced to pad 3
Output Leakage:	±50 uA (Vout = Vcc) ±50 uA (Vout = 0V)
Enable Time:	10nS (max) Time for output to reach a logic state
Disable Time:	10nS (max) Time for output to reach a high Zstate
Start up time:	5mS (max) Time for output to reach specified frequency
Storage Temperature Range:	-55°C to +125° C

Specifications subject to change without notice
Revision No. 12b of May 2008

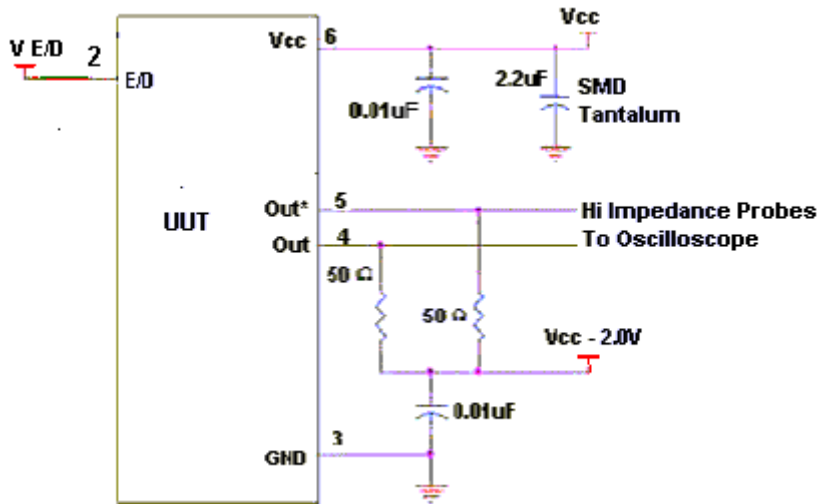
ANDHRA ELECTRONICS LIMITED

34 & 35, IDA, Kakinada, AP – 533 005,
INDIA.
URL: www.andhraelec.com

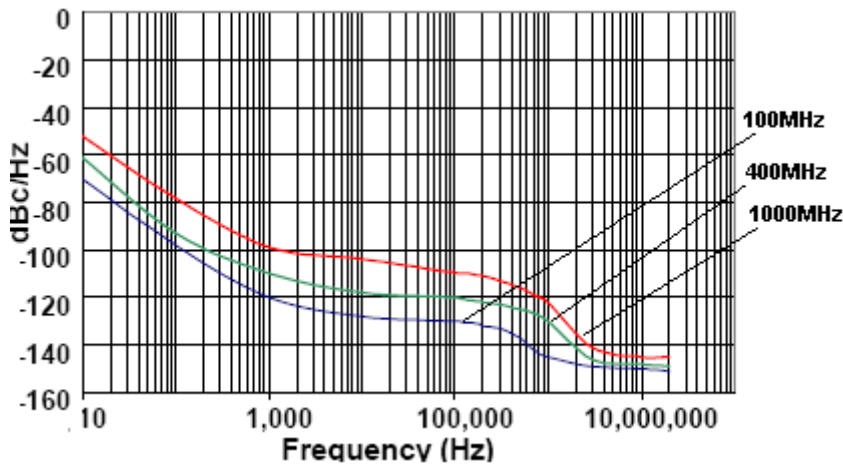
Phone : +91-884-2342203
Fax : +91-884-2341145
E-mail: info@andhraelec.com



LOAD CIRCUIT

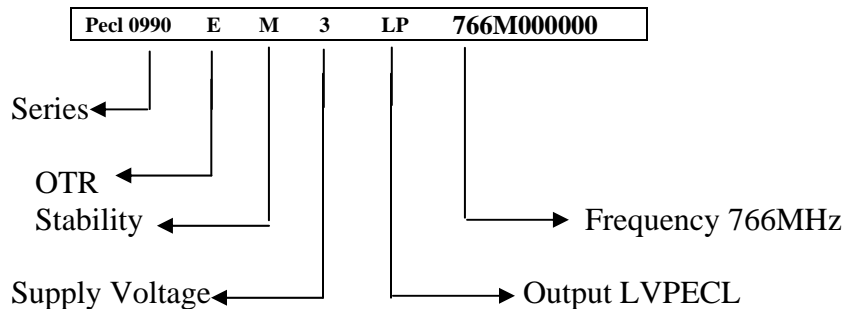


Typical Phase-Noise Response



Ordering Information

Example



ANDHRA ELECTRONICS LIMITED

34 & 35, IDA, Kakinada, AP – 533 005,
INDIA.
URL: www.andhraelec.com

Phone : +91-884-2342203
Fax : +91-884-2341145
E-mail: info@andhraelec.com