



Features

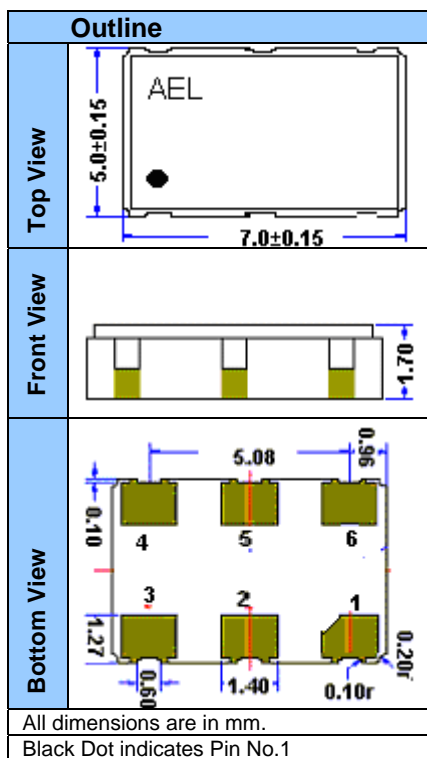
- Frequency 40 – 325 MHz
- Package 7X5 mm Ceramic
- RoHS Compliant Standard
- PECL Output
- Low Jitter

Table 1

Code	Stability Codes		F	G	M
	Frequency Stability	Temperature Range	±20 PPM	±25 PPM	±50 PPM
E	-10°C to +70°C				
I	-40°C to +85°C				

Denotes Available Denotes not Available

Mechanical Specification



Pin Configuration

Pin	Description
1	Output Enable/Disable
2	No Connect
3	Ground
4	Output
5	Output*
6	Supply

Parameters	Conditions			
	2.5 Volts		3.3 Volts	
Series:	XO 960			
Frequency Range:	40 - 325 MHz			
Supply Voltages:	2.5V ± 5%		3.3V ± 10%	
Output High Level (0 - 85°C) (Referenced To Ground) (Referenced To Termination Voltage) (Referenced To Vcc)	Min 1.475 V 0.975 V	Max 1.760 V 1.260 V	Min 2.275 V 0.975 V	Max 2.420 V 1.120 V
Output High Level (-40°C) (Referenced To Ground) (Referenced To Termination Voltage) (Referenced To Vcc)	Min 1.415 V 0.915 V	Max 1.620 V 1.12 V	Min 2.216 V 0.916 V	Max 2.420 V 1.120 V
Output Low Level (0 - 85°C) (Referenced To Ground) (Referenced To Termination Voltage) (Referenced To Vcc)	Min 0.690 V 0.190 V	Max 1.095 V 0.595 V	Min 1.490 V 0.190 V	Max 1.680 V 0.380 V
Output Low Level (-40°C) (Referenced To Ground) (Referenced To Termination Voltage) (Referenced To Vcc)	Min 0.670 V 0.170 V	Max 1.195 V 0.695 V	Min 1.470 V 0.170 V	Max 1.745 V 0.445 V
V Disable:	0.6 V (max)		0.6 V (max)	
V Enable:	1.7 V (min)		2.4 V (min)	
Output Symmetry:	45% - 55% At 50% point of Vcc			
Jitter	0.6 pS RMS (max) 12KHz – 20MHz from output frequency 2.8 pS RMS (max) 10 Hz - 1MHz from output frequency			
Rise / Fall time:	0.7nS (max) (Vth is 20% and 80% of waveform)			
Supply Current:	90mA (max)			
Enable/Disable Internal Pull-Up:	50Kohm (min) To Vcc			
Output Waveform:	PECL			
Frequency stability:	(Table 1) Specify			
Temperature range:	(Table 1) Specify			
Output Leakage:	±10 uA (Vout = Vcc) ±10 uA (Vout = 0V)			
Enable Time:	10nS (max) Time for output to reach a logic state			
Disable Time:	10nS (max) Time for output to reach a high Zstate			
Start up time:	10mS (max) Time for output to reach Specified Frequency			
Storage temperature range:	-55°C to +125° C			
Stand by Current:	3 uA (max) pad 1 low, device disabled			

Specifications subject to change without notice
Revision No. 12b of May 2008

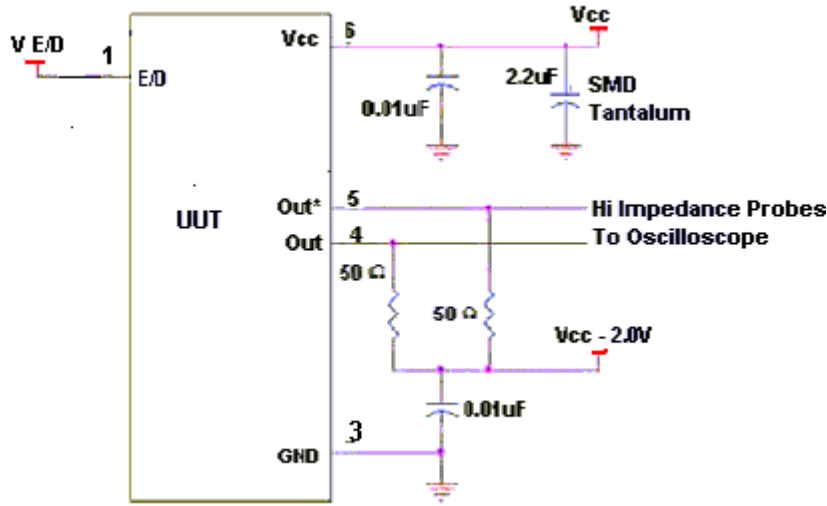
ANDHRA ELECTRONICS LIMITED

34 & 35, IDA, Kakinada, AP – 533 005,
INDIA.
URL: www.andhraelec.com

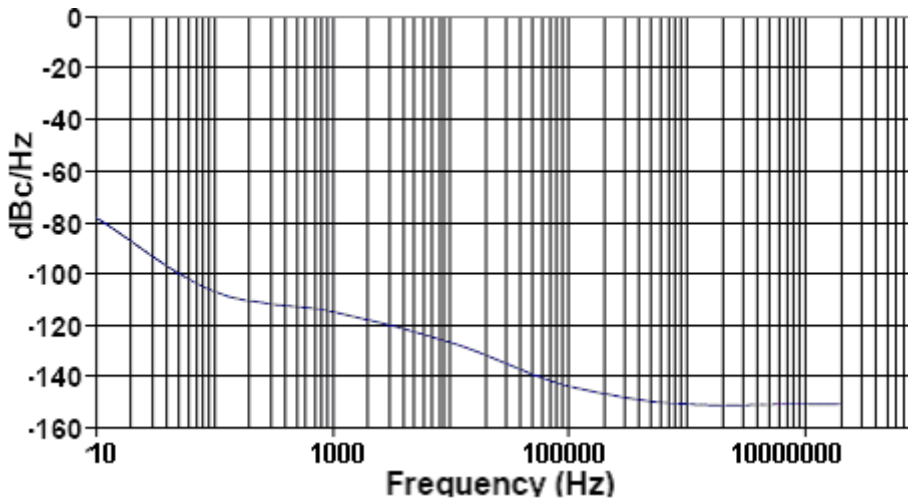
Phone : +91-884-2342203
Fax : +91-884-2341145
E-mail: info@andhraelec.com



LOAD CIRCUIT

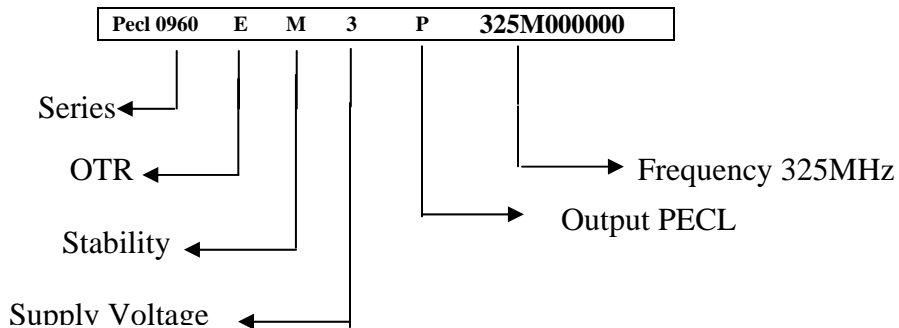


Typical Phase-Noise Response



Ordering Information

Example



ANDHRA ELECTRONICS LIMITED

34 & 35, IDA, Kakinada, AP – 533 005,
INDIA.
URL: www.andhraelec.com

Phone : +91-884-2342203
Fax : +91-884-2341145
E-mail: info@andhraelec.com