

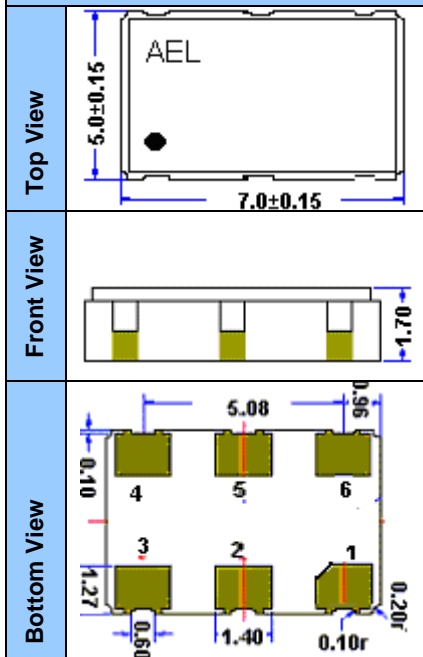
**Features**

- Frequency 106.25MHz (or) 212.50MHz
- Package 7X5 mm Ceramic
- RoHS Compliant
- LVDS Output
- Supply Voltage 3.3Volts
- Low Jitter
- RoHS Compliant Standard

Table 1

Code	Stability Codes		F	G	M
	Frequency Stability		±20 PPM	±25 PPM	±50 PPM
E	Temperature Range	-10°C to +70°C			
I		-40°C to +85°C			

Denotes Available Denotes not Available

Mechanical Specification**Outline**

All dimensions are in mm.
Black Dot indicates Pin No.1

Pin Configuration

Pin	Description
1.	Output Enable/Disable
2.	Frequency Select (Logic High-106.25MHz, Logic Low-212.50MHz)
3.	Ground
4.	Output
5.	Output*
6.	Supply

Parameters	Conditions
Series:	XO 570
Frequency range:	106.25 MHz (OR) 212.50 MHz
Supply Voltage:	3.3V±10%
Output Waveform:	LVDS
Output High Level:	1.47Volts (max)
Output Low Level	0.93Volts (min)
Differential Output (Vod)	200 - 400 mVolts
Output Offset Voltage (Vos)	1.125 - 1.275 Volts
Differential Output Error(dVos)	25 mV (max)
Output Symmetry	48% - 52% (Referenced to 50% of amplitude)
Jitter	0.8 pS RMS (max) 12KHz - 20MHz from Fnominal 1.5 pS RMS (max) 10 Hz - 1MHz from Fnominal
Rise / Fall time:	200 – 600 pS (Vth is20% and 80% of waveform)
Output Current	12 mA (max) Outputs Shorted Together
Supply Current:	68mA (max) Includes current Of Properly Terminated Device
Frequency stability:	(Table 1)Specify
Operating Temperature Range:	(Table 1)Specify
V Disable: (Frequency Select Low)	0.8Volts (max) Outputs Held In a Fixed State
V Enable: (Frequency Select High)	2.0Volts (min)
Input High Current:	±10 uA (pad 1or pad 2 at Vcc)
Input Low Current:	-50 uA - +10 uA (pad1 or pad 2 at 0Volts)
Enable Time:	10nS max (Time for output to reach a logic state)
Disable Time:	10nS max (Time for output to reach a high Zstate)
Start up time:	5mS max (measured from the time Vcc=3.0V)
Storage temperature range:	-55°C to +125° C

Specifications subject to change without notice
Revision No. 12b of May 2008

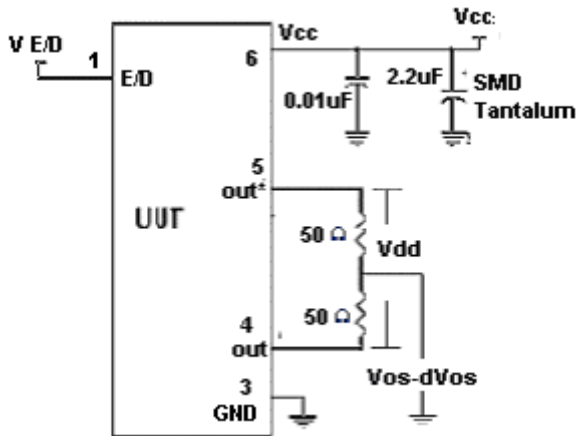
ANDHRA ELECTRONICS LIMITED

34 & 35, IDA, Kakinada, AP – 533 005,
INDIA.
URL: www.andhraelec.com

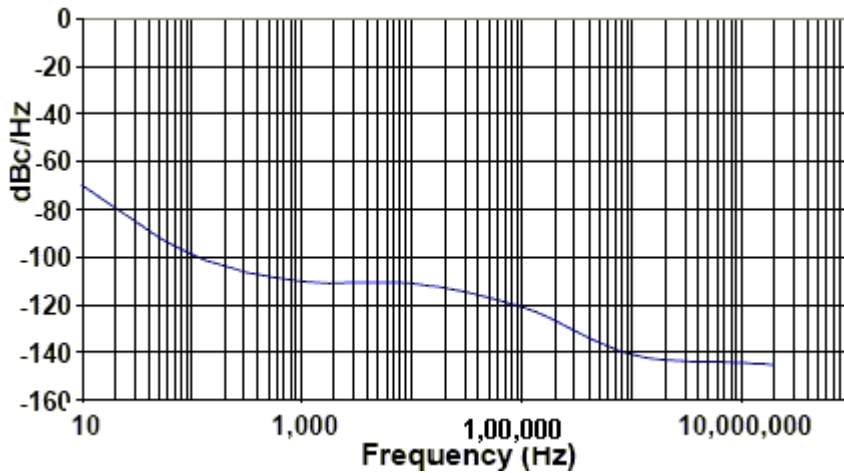
Phone : +91-884-2342203
Fax : +91-884-2341145
E-mail: info@andhraelec.com



LOAD CIRCUIT

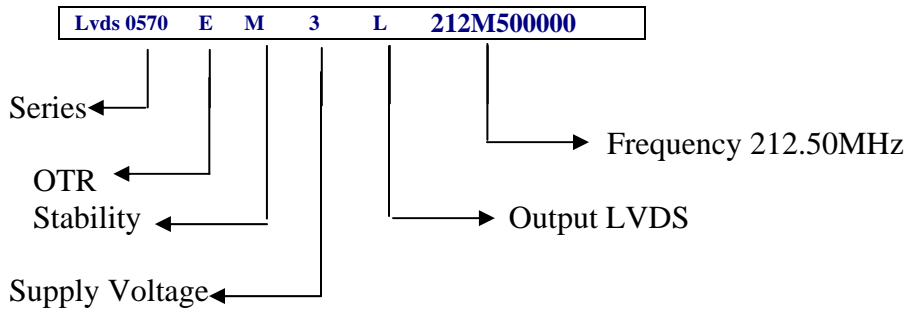


Typical Phase-Noise Response



Ordering Information

Example



ANDHRA ELECTRONICS LIMITED

34 & 35, IDA, Kakinada, AP – 533 005,
INDIA.
URL: www.andhraelec.com

Phone : +91-884-2342203
Fax : +91-884-2341145
E-mail: info@andhraelec.com