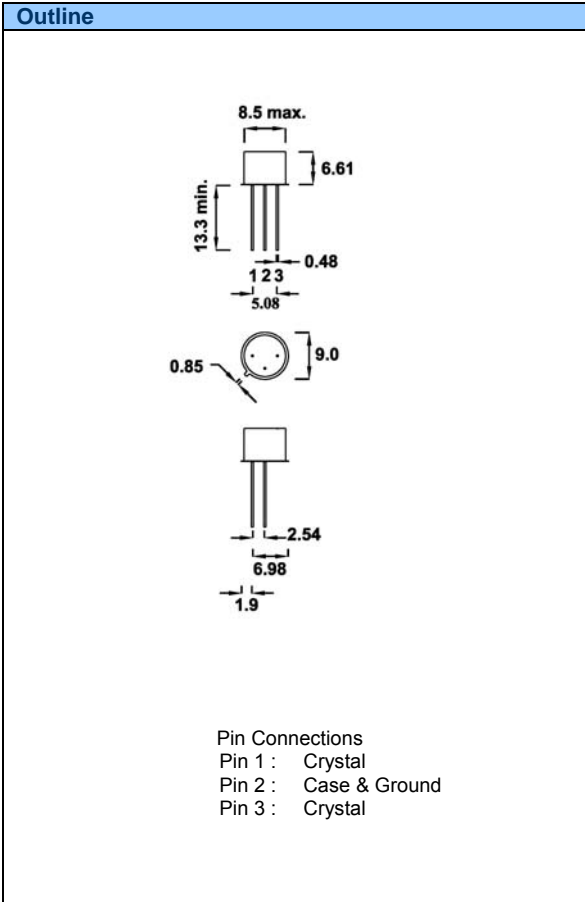




FEATURE

- All metal welded package
- Wide frequency range from 4 MHz upto 125 MHz
- RoHS Compliant Standard



Frequency Range	4 MHz to 125 MHz
Frequency Adjustment Tolerance at 25° C	Select from table below
Operating Temperature Range	Select from table below
Frequency Stability	Select from table below
ESR	Select from table below
Drive level	100 μ Watts Typical (or specify)
Shunt Capacitance C0	7.0 pF max.
Resonance Condition	XXS – series, XXP – Parallel with xx pF (for parallel please specify the xx value in pF)
Ageing	Cold Weld: ±1 PPM / Year

Operating Temperature Range	
Code	Range
A	0 to +50 °C
B	0 to +60 °C
F	0 to +70 °C
D	-10 to +60 °C
E	-10 to +70 °C
C	-20 to +70 °C
G	-30 to +80 °C
H	-30 to +85 °C
I	-40 to +85 °C
J	-40 to +90 °C
K	-55 to +105 °C
L	-55 to +125 °C

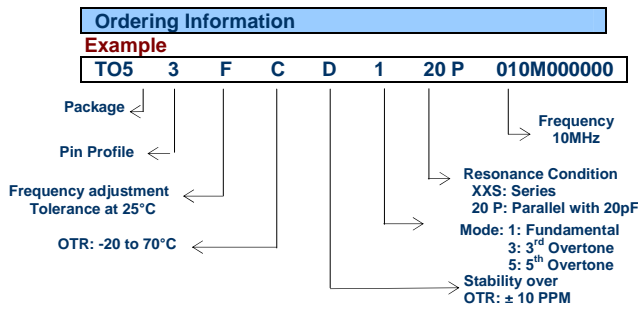
Frequency Adjustment Tolerance at 25°C/Stability Over OTR	
Code	Stability
R	±3 PPM
B	±5 PPM
C	±7.5 PPM
D	±10 PPM
E	±15 PPM
F	±20 PPM
G	±25 PPM
H	±30 PPM
M	±50 PPM
K	±100 PPM

Frequency Range By Mode Of Oscillation		
Fundamental	3rd Overtone	5th Overtone
4.0 to 40 MHz	20 to 90 MHz	80 to 125 MHz

Max Equivalent Series Resistance Table			
Frequency Range MHz	ESR	Frequency Range MHz	ESR
Fundamental		3rd Overtone	
4.0 to ≤6.0	150Ω	20.0 to ≤27.0	80 Ω
6.0 to ≤8.0	100Ω	27.0 to ≤34.0	70 Ω
8.0 to ≤10.0	50 Ω	34.0 to ≤45.0	45 Ω
10.0 to ≤13.0	40 Ω	45.0 to ≤90.0	35 Ω
13.0 to ≤18.0	30 Ω	5th Overtone	
18.0 to ≤25.0	25 Ω	80.0 to ≤125.0	70 Ω
25.0 to ≤40.0	20 Ω		

Pin Profile	Code
3 Pin Straight	3

▲ All dimensions are in mm.



Specifications subject to change without notice
 Revision No. 12b of May 2008

ANDHRA ELECTRONICS LIMITED

34 & 35, IDA, Kakinada, AP – 533 005,
 INDIA.
 URL: www.andhraelec.com

Phone: +91-884-2342203
 Fax: +91-884-2341145
 E-mail: info@andhraelec.com