



FEATURE

- Wide frequency range
- Custom Options available
- RoHS Compliant Standard

Table 1

Codes	Stability Codes		X	Y	Z	P
	Frequency Stability		±0.5 PPM	±1.0 PPM	±1.5 PPM	±2.0 PPM
A	Temperature Range	0 to +50° C				
B		0 to +60° C				
F		0 to +70° C				
D		-10 to +60° C				
E		-10 to +70° C				
C		-20 to +70° C				
G		-30 to +80° C				
H		-30 to +85° C				
I		-40 to +85° C				

Denotes Available
 Denotes not Available

Table 2

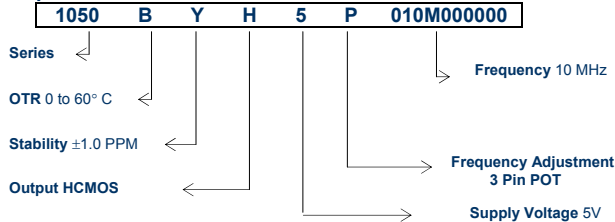
Supply Voltage	3.3V	5V	9V	10V	12V	15
Code	3	5	9	A	C	F

Parameters	Variant			Option Codes	
	H	T	S		
Series:	TCXO 1050	<input type="checkbox"/>	<input type="checkbox"/>	<input checked="" type="checkbox"/>	
	TCXO 2020	<input checked="" type="checkbox"/>	<input type="checkbox"/>	<input type="checkbox"/>	
	TCXO 2525	<input checked="" type="checkbox"/>	<input type="checkbox"/>	<input type="checkbox"/>	
Frequency Range:	1 MHz – 150 MHz 8 MHz – 150 MHz	<input checked="" type="checkbox"/>	<input type="checkbox"/>	<input type="checkbox"/>	
Output Drive:	15 pF HCMOS / TTL Sine wave Others	<input checked="" type="checkbox"/>	<input checked="" type="checkbox"/>	<input type="checkbox"/>	Specify
Output Levels:	Logic '0' = +0.5V max, '1' = +4.0V min Logic '0' = +0.4V max, '1' = +2.4V min +0 dBm (min) into 50Ω	<input checked="" type="checkbox"/>	<input type="checkbox"/>	<input type="checkbox"/>	
Rise / Fall time:	10 ns max	<input checked="" type="checkbox"/>	<input checked="" type="checkbox"/>	<input type="checkbox"/>	
Waveform Symmetry:	40:60 max @ 2.5V 40:60 max @ 1.4V	<input checked="" type="checkbox"/>	<input type="checkbox"/>	<input type="checkbox"/>	
Frequency at Room Temperature:	±1.0ppm at 25°C±2°C	<input checked="" type="checkbox"/>	<input checked="" type="checkbox"/>	<input checked="" type="checkbox"/>	
Frequency Stability:	(Table 1)	<input type="checkbox"/>	<input type="checkbox"/>	<input type="checkbox"/>	Specify
Temperature range:	(Table 1)	<input type="checkbox"/>	<input type="checkbox"/>	<input type="checkbox"/>	Specify
Supply voltage (VDD):	(Table 2) + 5.0V (±5%) +12.0V (±5%) Others	<input checked="" type="checkbox"/>	<input checked="" type="checkbox"/>	<input type="checkbox"/>	Specify
Supply current:	20 mA max (<20.0 MHz) 30 mA max (20.0 ~ 50.0 MHz) 50 mA max (>50 MHz)	<input checked="" type="checkbox"/>	<input checked="" type="checkbox"/>	<input checked="" type="checkbox"/>	
Supply Voltage Stability:	±0.1 ppm max. per 5% change	<input checked="" type="checkbox"/>	<input checked="" type="checkbox"/>	<input checked="" type="checkbox"/>	
Ageing:	±1.0 ppm max per year	<input checked="" type="checkbox"/>	<input checked="" type="checkbox"/>	<input checked="" type="checkbox"/>	
Frequency adjustment:	±5 ppm by Control Voltage Trim (0.5 Vcc ± 0.5 Vcc) ±3 ppm min by internal trimmer ±5 ppm by external 3 pin potentiometer ±5 ppm by external 2 pin variable resistor None	<input checked="" type="checkbox"/>	<input checked="" type="checkbox"/>	<input checked="" type="checkbox"/>	V I P R N
Storage Temperature Range:	-55 to +125° C	<input checked="" type="checkbox"/>	<input checked="" type="checkbox"/>	<input checked="" type="checkbox"/>	

■ Standard, □ Optional – please specify required code(s) when ordering.

Ordering Information

Example



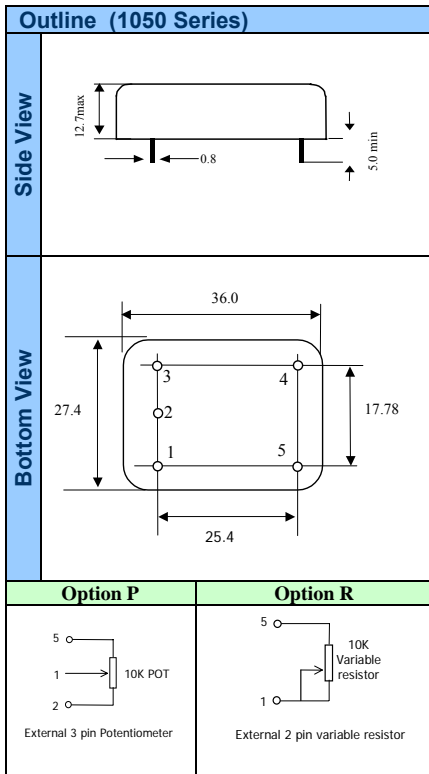
Specifications subject to change without notice
Revision No. 12b of May 2008

ANDHRA ELECTRONICS LIMITED

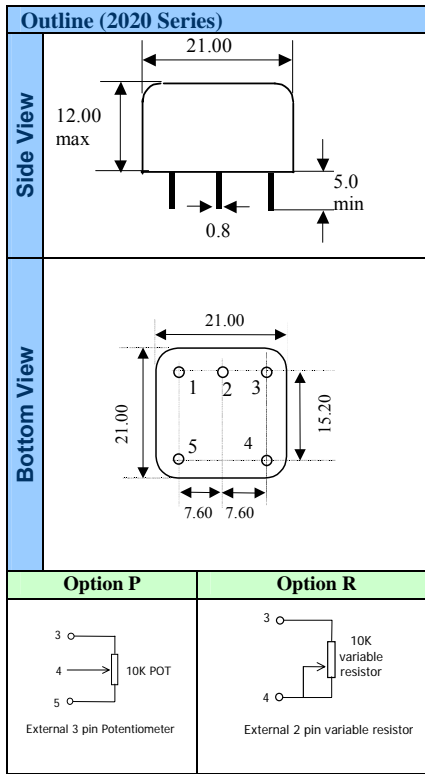
34 & 35, IDA, Kakinada, AP – 533 005,
INDIA.
URL: www.andhraelec.com

Phone: +91-884-2342203
Fax: +91-884-2341145
E-mail: info@andhraelec.com

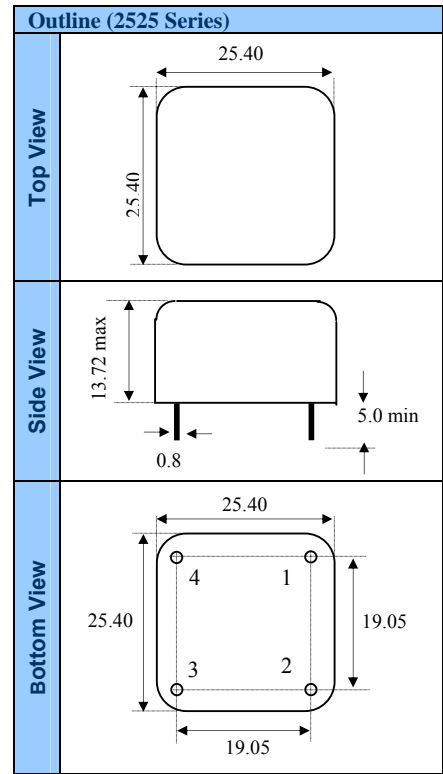
MECHANICAL SPECIFICATIONS



MECHANICAL SPECIFICATIONS



MECHANICAL SPECIFICATIONS



▲ All dimensions are in mm.

▲ All dimensions are in mm.

Pin Configuration of TCXO 1050

PIN	Option N & I	Option V	Option P	Option R
1	No Connection	Control Voltage	POT Wiper End	Variable Resistor one end
2	No Connection	No Connection	POT one End	No Connection
3	Supply	Supply	Supply	Supply
4	Output	Output	Output	Output
5	Ground	Ground	Ground (POT other end)	Ground (Variable Resistor other end)

Pin Configuration of TCXO 2020

PIN	Option N & I	Option V	Option P	Option R
1	Supply	Supply	Supply	Supply
2	Output	Output	Output	Output
3	Ground	Ground	Ground (POT Other End)	Ground (Variable Resistor one end)
4	No Connection	Control Voltage	POT Wiper end	Variable Resistor other end
5	No Connection	No Connection	POT One end	No Connection

Pin Configuration of TCXO 2525

Pin	Option N&I	Option V
1	Ground	Ground
2	Ground	Control Voltage
3	Supply	Supply
4	Output	Output

Frequency adjustment: Option 'P' not available in 2525

ANDHRA ELECTRONICS LIMITED

34 & 35, IDA, Kakinada, AP – 533 005,
INDIA.
URL: www.andhraelec.com

Phone: +91-884-2342203
Fax: +91-884-2341145
E-mail: info@andhraelec.com