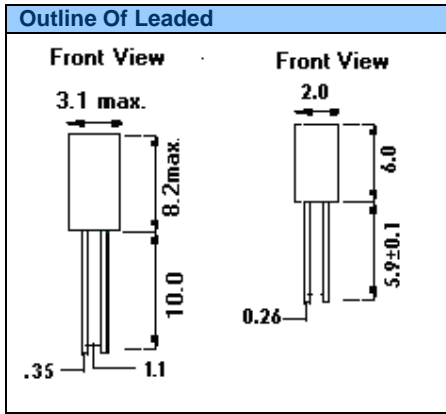




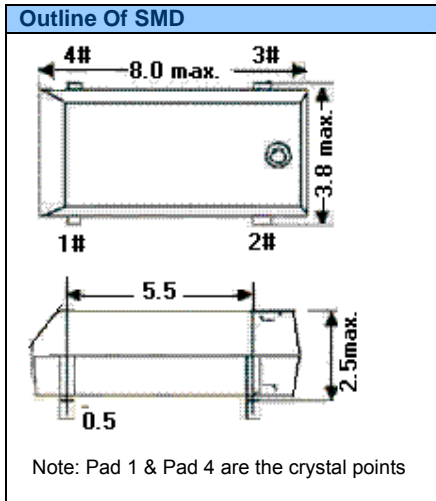
TUNING FORK CRYSTAL

- RoHS Compliant Standard



Frequency Range	32.768 KHz & 100 KHz	
Frequency Adjustment Tolerance at 25° C	±20ppm	
Operating Temperature Range (OTR)	-10°C to +60°C & -40°C to +85°C	
Storage Temperature Range	-40°C to +85°C	
Frequency Stability Over OTR	OTR	Stability
	-10°C to 60°C	±20 ppm
	-40°C to 85°C	±80, ±160 ppm
Drive level	1.0 μ Watts MAX.	
ESR	50 KΩ.	
Resonance Condition	XXP – Parallel	
Load Capacitance CL	12.5 pF max.	

Pin Profile	Code
2 Pin Straight	2
SMD	S



Operating Temperature Range and Code

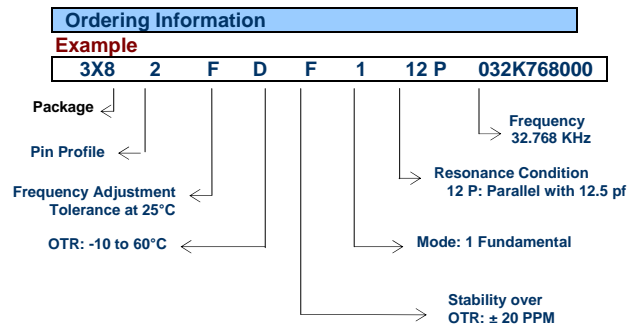
Code	Range
D	-10 to +60 °C
I	-40 to +85 °C

Frequency Tolerance/ Stability Over OTR and Code

Code	Range
F	± 20 ppm
K	± 100 ppm

Pin Profile	Code
2 Pin Straight	2
4 pad SMD	S

▲ All dimensions are in mm.



Specifications subject to change without notice
Revision No. 12b of May 2008

ANDHRA ELECTRONICS LIMITED

34 & 35, IDA, Kakinada, AP – 533 005,
INDIA.
URL: www.andhraelec.com

Phone: +91-884-2342203
Fax: +91-884-2341145
E-mail: info@andhraelec.com