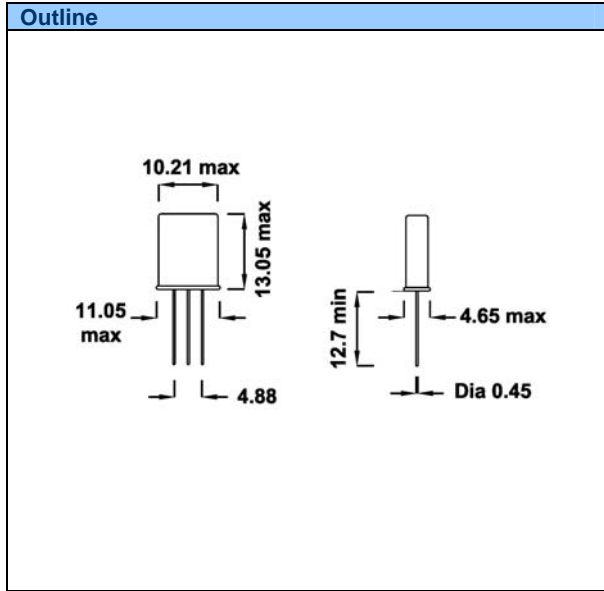




QUARTZ CRYSTAL – HC-49/U - 3 LEAD

FEATURE

- All metal welded package
- Wide frequency range from 3.000 MHz upto 150 MHz
- RoHS Compliant Standard

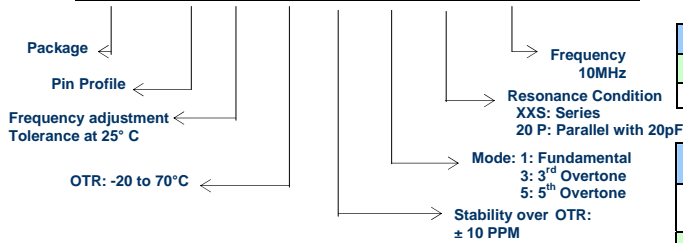


▲ All dimensions are in mm.

Ordering Information

Example

49U 3 F C D 1 20 P 010M000000



Frequency Range	3.000 MHz to 150 MHz
Frequency Adjustment Tolerance at 25° C	Select from table below
Operating Temperature Range	Select from table below
Frequency Stability	Select from table below
ESR	Select from table below
Drive level	100 μ Watts Typical (or specify)
Shunt Capacitance C0	7.0 pF max.
Resonance Condition	XXS – series, XXP – Parallel with xx pF (for parallel please specify the xx value in pF)
Ageing	Resistance Weld: ±3 PPM / Year

Operating Temperature Range	
Code	Range
A	0 to +50 °C
B	0 to +60 °C
F	0 to +70 °C
D	-10 to +60 °C
E	-10 to +70 °C
C	-20 to +70 °C
G	-30 to +80 °C
H	-30 to +85 °C
I	-40 to +85 °C
J	-40 to +90 °C
K	-55 to +105 °C
L	-55 to +125 °C

Frequency Adjustment Tolerance at 25°C/Stability Over OTR	
Code	Stability
R	±3 PPM
B	±5 PPM
C	±7.5 PPM
D	±10 PPM
E	±15 PPM
F	±20 PPM
G	±25 PPM
H	±30 PPM
M	±50 PPM
K	±100 PPM

Frequency Range By Mode of Oscillation		
Fundamental	3rd Overtone	5th Overtone
3.0 to 36.864 MHz	20.0 to 85 MHz	60 to 150 MHz

Max Equivalent Series Resistance Table			
Frequency Range MHz	ESR	Frequency Range MHz	ESR
Fundamental		3rd Overtone	
3.0 to ≤3.5	150 Ω	20.0 to ≤30.0	35 Ω
3.5 to ≤4.5	100 Ω	30.0 to ≤85.0	30 Ω
4.5 to ≤5.0	80 Ω	5th Overtone	
5.0 to ≤7.0	60 Ω	60.0 to ≤100.0	70 Ω
7.0 to ≤9.0	45 Ω	100.0 to ≤150.0	80 Ω
9.0 to ≤12.0	30 Ω		
12.0 to ≤20.0	25 Ω		
20.0 to ≤36.864	20 Ω		

Pin Profile	Code
3 Pin Straight	3

Specifications subject to change without notice
Revision No. 12b of May 2008

ANDHRA ELECTRONICS LIMITED

34 & 35, IDA, Kakinada, AP – 533 005,
INDIA.
URL: www.andhraelec.com

Phone: +91-884-2342203
Fax: +91-884-2341145
E-mail: info@andhraelec.com